

FAIRCHILD SEMICONDUCTOR



**F80**

**MICROPROCESSOR**



## **TABLE OF CONTENTS**

**Introduction**

**F8 Device Descriptions**

- 3850 Central Processing Unit**
- 3851 Program Storage Unit**
- 3853 Dynamic Memory Interface**
- 3852 Static Memory Interface**
- 3854 Direct Memory Access**

**F8 Application Spectrum**

**F8 Customer Support**

**F8 Instruction Set Summary**

**F8 Power Requirements**

**F8 Signal Electrical Specifications**

# THINK F8 UNIVERSAL STANDARD MICROPROCESSOR

VERSATILE .. EFFICIENT .. COST EFFECTIVE

The ultimate goal, from F8 design concept through development and production, was to produce the most versatile, efficient, cost-effective microprocessor system available today. To accomplish this, five stringent parameters, based on user experience with other systems, were set forth as guidelines for the F8.

- Minimum Parts Count
- Cost Effectiveness
- Simple Peripheral Interfaces
- Easy Expansion through Modular Architecture
- Simplified Programming and Debugging

## HOW WERE F8 GOALS MET ?

By . . . *unique system partitioning* the system functions have been divided among the various circuits of the F8 family to provide sophisticated modularity. As a result, it is now possible to build a minimum microprocessor system with only two devices. To this system PSU, RAM and I/O devices can be added to form medium size or memory intensive systems with a minimum use of external parts. And, finally, for

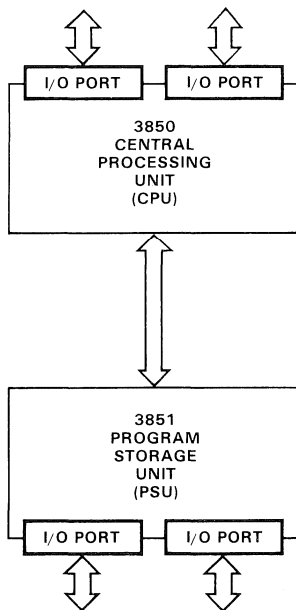
solving complex problems, the F8 devices can be connected as subsystems into a synergistic system of independent microprocessors.

By . . . *incorporating the I/O structure on the chips* so that the majority (95%) of the peripheral devices can be directly controlled without the need for special circuits. The trick is to accommodate the characteristics of a given peripheral device in the software. The I/O hardware structure includes a programmable timer, an efficient interrupt system and bidirectional I/O ports.

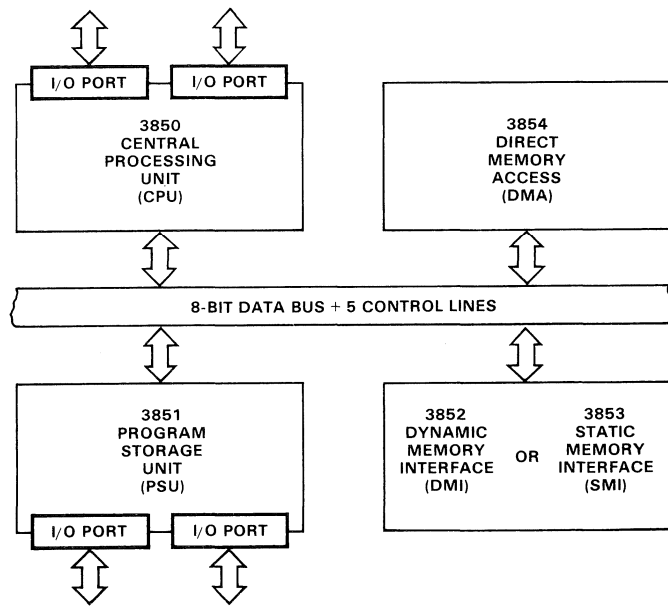
By . . . providing *carefully thought out software* for generating and debugging microprograms and a choice of three hardware modules for speeding up prototype development.

## WHAT IS THE RESULT ?

. . . *a complete family of LSI circuits* that can be used as building blocks to construct versatile, efficient, cost effective systems from the most simple to the highly complex.



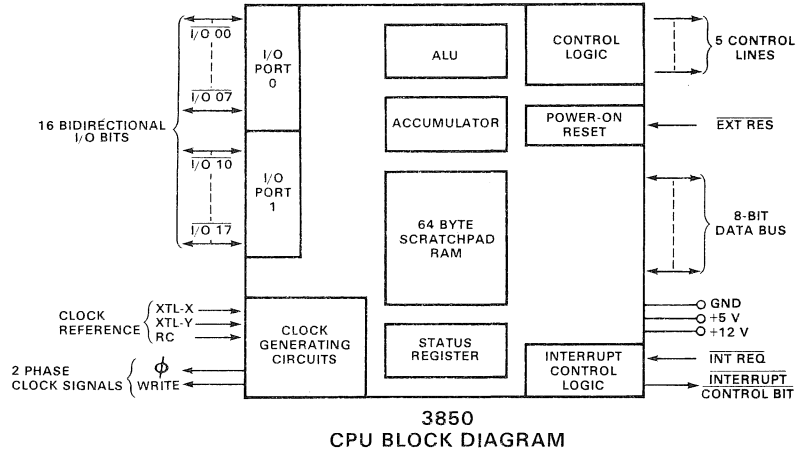
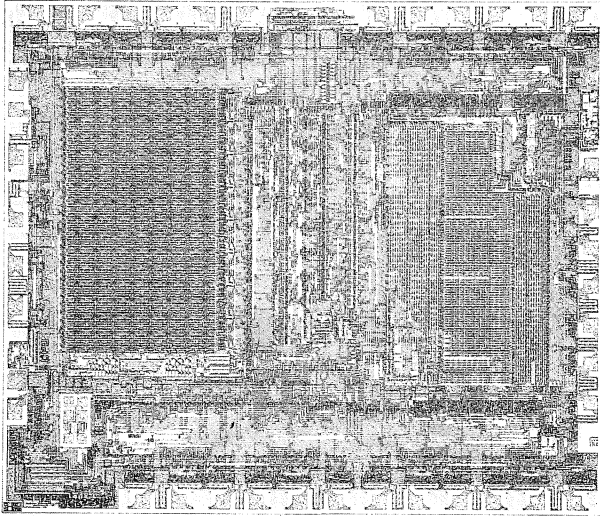
MINIMUM SYSTEM



F8 DEVICE FAMILY

# 3850 CENTRAL PROCESSING UNIT

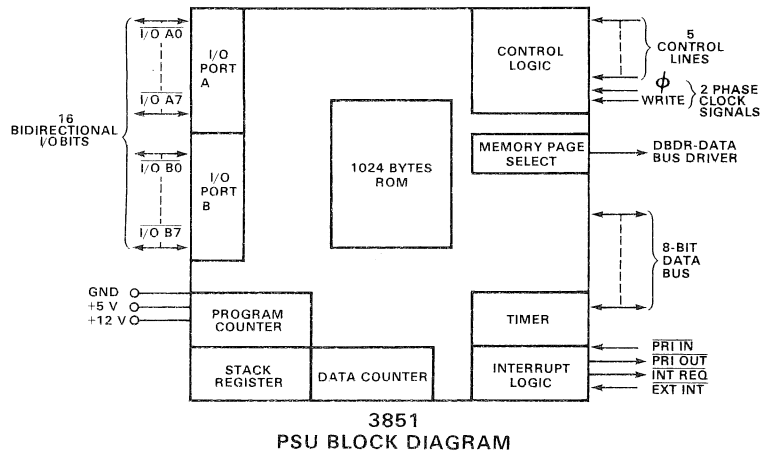
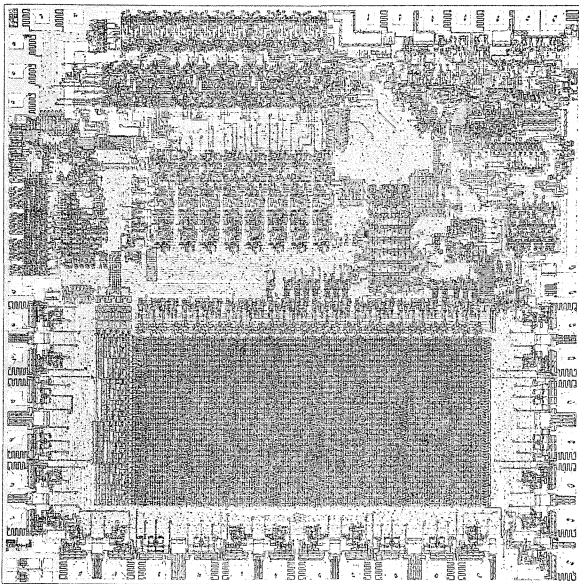
Fairchild's F8 Central Processing Unit (CPU) contains all of the functions of an ordinary central processor and adds some time and money saving features uniquely its own. For instance, the 64 bytes of scratchpad RAM memory already included on the F8 CPU eliminate the need for external RAM circuits in many applications. Clock and power-on-reset circuitry, normally requiring additional integrated circuit packages, are included on-chip. Fairchild's CPU also contains 16 bits of fully bidirectional input and output lines internally latched (for storing output data) and capable of driving a standard TTL load.



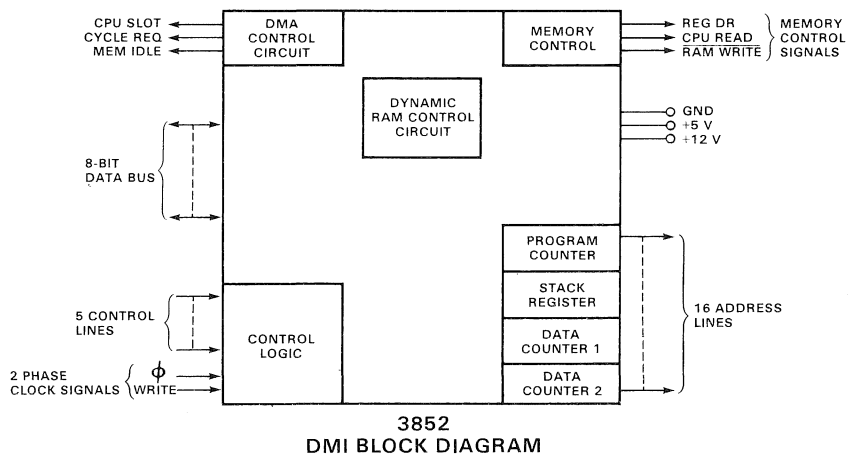
# 3851 PROGRAM STORAGE UNIT

It is important to note that Fairchild's Program Storage Unit (PSU) is not just a conventional Read Only Memory. In addition to containing 1024 bytes of mask programmable ROM for program and constant storage, the F8 PSU includes the addressing logic for memory referencing, a Program Counter, an Indirect Address Register (the Data Counter) and a Stack Register. A complete vectored interrupt level, including an external interrupt line to alert the central processor, is provided. All of the logic necessary to request, acknowledge and reset the interrupt is on the F8 PSU. The 8-bit Programmable Timer is especially useful for generating real time delays. The PSU has an additional 16 bits of TTL compatible, bidirectional, fully latched I/O lines.

Systems requiring more program storage may be expanded by adding more PSU circuits. For example, one F8 CPU and three F8 PSUs will produce a microprocessor system complete with 64 bytes of RAM, 3072 bytes of ROM, 64 I/O bits, three interrupt levels, and three programmable timers. This complete system will require only four IC packages.

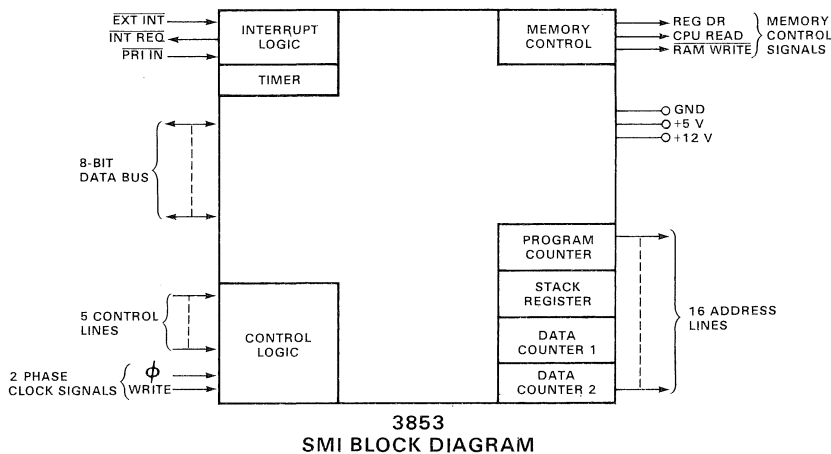




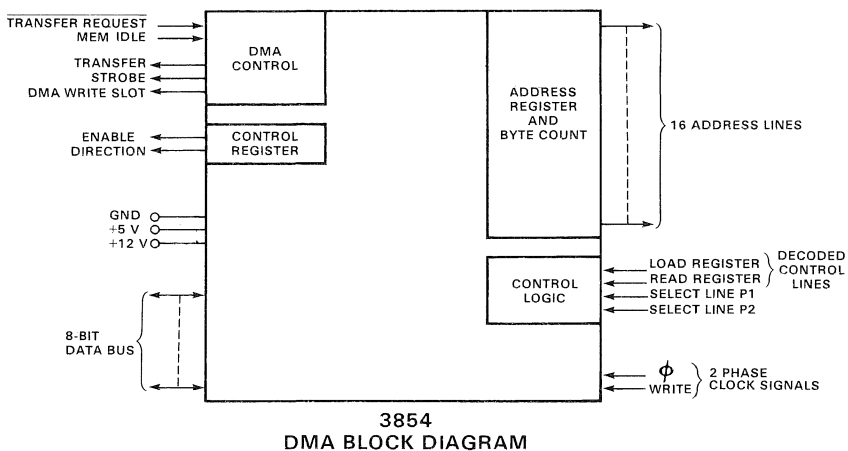


## 3852/3853 MEMORY INTERFACE

For applications requiring more than the 64 byte RAM located on the CPU, two memory interface circuits are included in the F8 set. Each device generates the 16 address lines and the signals necessary to interface with up to 65K bytes of RAM, PROM or ROM memory. Either device may be used in conjunction with standard static semiconductor memory devices.



The Static Memory Interface (SMI) contains a full level of interrupt capability and a programmable timer. The Dynamic Memory Interface (DMI) contains all of the logic necessary to refresh MOS dynamic memories without degrading the system throughput time. The F8 DMI can also interface with static memories when desired.

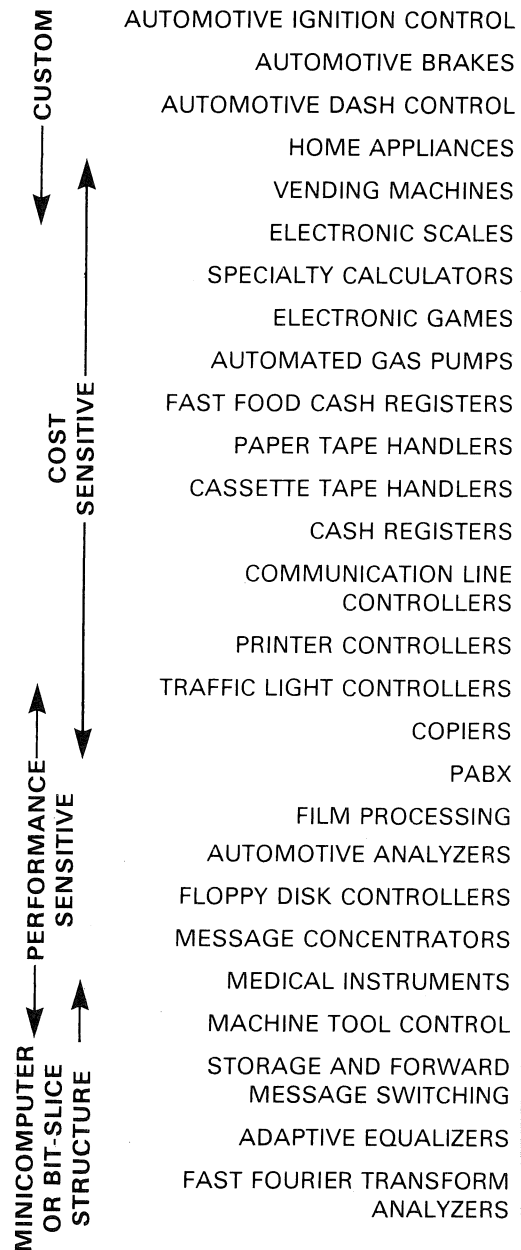


## 3854 DIRECT MEMORY ACCESS

Fairchild's Direct Memory Access (DMA) device sets up a high speed data path to link F8 memory with peripheral electronics. The F8 DMA circuit, when working in conjunction with the F8 DMI, does not require overhead electronics to keep track of memory addresses, bytes transferred and handshaking signals. The data transfer is initiated by the CPU under program control. Once started, the DMA transfer will continue without CPU intervention. The CPU can sense the enable line of the DMA to determine the completion of a transfer. The entire DMA transfer will take place without halting the central processor.

# F8 MICROPROCESSOR APPLICATION SPECTRUM

Because of its unique system partitioning, the F8 device set can be applied across a wide range of applications. The minimum two-circuit system is the basis for a modular architecture that can handle increasingly complex problems. A system of medium complexity can be designed by adding more F8 PSUs. The use of an F8 memory interface device allows up to 65K bytes of standard memories to be incorporated into the F8 system. For highly complex applications, independent F8 subsystems can be connected into a multiprocessing system in which each subsystem can operate independently yet can be controlled by one CPU that is the coordinator.



## A TWO-CIRCUIT SYSTEM

The two-circuit F8 microprocessor is suitable for small data terminals, controllers, and specialty calculators. The keyboard is connected directly to the F8 I/O ports without special interfaces. Switch-bounce protection, rollover, and key encoding are all under software control. Software also decodes signals for LED readouts.

As an appliance controller, for example, the two-circuit system can perform all input-output sensing, actuating, timing, and computation operations. A system like the combination washing-machine-and-dryer controller in *Figure 1* requires more than 250 components when other microprocessor device sets are used, but with the F8 devices uses only 55 components, including 28 LEDs and the power semiconductor devices and relays used to control the motors. A set of custom circuits would also require about 50 parts, but initial engineering expense is heavy and severe penalties are incurred if changes are required. With the F8 system changes can be made by merely changing the program.

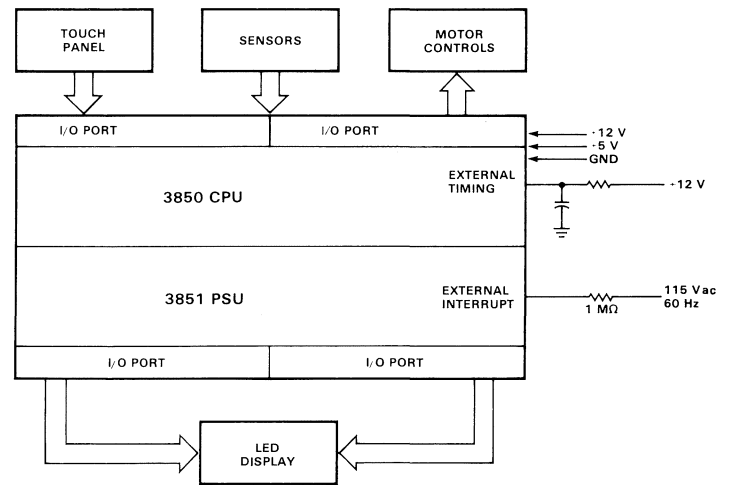


Fig. 1. Two-Circuit System

## A MORE COMPLEX SYSTEM

The versatility of the F8 system is indicated by the traffic-light-controls system in *Figure 2*. The use of one CPU and two PSU circuits provides the designer with two timers, two interrupts, an onboard clock, onboard power-on reset, onboard switch decoding, and 48 bidirectional I/O bits. This system could be tied to vehicle detectors in the road, to monitor traffic for left-turn lanes as well as through-traffic flow in four directions. It would also react to interrupts from the pedestrian control buttons at each corner. There also is sufficient I/O capability to permit communication with and control of neighboring intersections and to allow the system to be operated manually or tested for proper operation.

Five F8 features are of particular interest for this type of application. One of the interrupts can eliminate the need for

such external circuits as a comparator to compare a count of the cars with a predetermined value to cause the light to change. (The CPU can handle the simple arithmetic of counting cars.) This interrupt also eliminates the need for continuous polling of traffic count by the microcomputer. The second interrupt would be ideal for permitting pedestrian control to override the automatic system. The internal clock, with an external crystal, can also control light routines.

The two timers permit simultaneous counting of delay for vehicle signals and flashing warning lights for pedestrians. The onboard power-on reset acts in case of power failure to start the system automatically when power is renewed. The bidirectional I/Os have built-in latches that eliminate the need for external latches for the job of "holding" commands for lights as well as the momentary commands provided by timers and sensors.

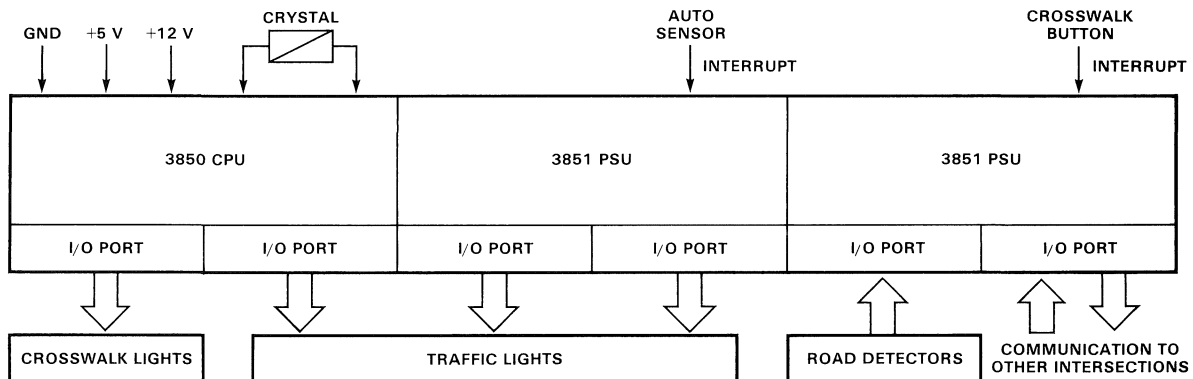


Fig. 2. Medium Complexity System

## A MEMORY INTENSIVE SYSTEM

A typical application is a printing credit-verification terminal (Figure 3). Such a system requires high performance and yet must be low in cost if it is to reach a large market. Only four different F8 devices are required to handle a keyboard input, visual display, card reader, and printer as well as provide a

modem interface and memory interface for external RAM storage. This printing credit-verification system might be compared to a "bare mini-computer" in terms of utility, however, a detailed engineering evaluation would show that it costs less, has fewer parts and a more flexible I/O structure.

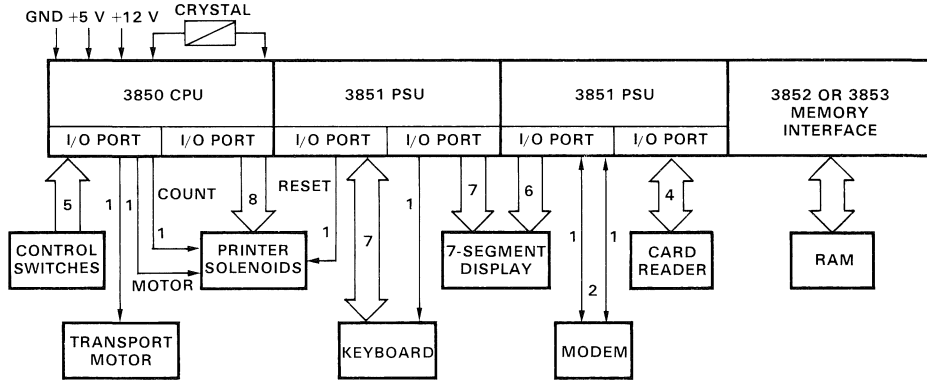


Fig. 3. Memory Intensive System

## MULTI-MICROPROCESSOR SYSTEM

Figure 4 shows a specific application of the multi-processing concept as applied to a keyboard-to-floppy-disk system. Possibly this is the most cost-effective way of implementing this system, conservatively costing less than 50% of a conventional implementation. This system involves concurrent operation of three floppy disks, magnetic tape, CRT, keyboard, printer, and modem. While the low-speed devices (the keyboard, printer, and modem) can be adequately handled by the programmed I/O structure, the high-speed devices (disks, mag-

netic tape, and CRT) require separate F8 CPUs and PSUs.

This scheme provides simplicity of control, modularity, and freedom to expand. In this case, the units operating concurrently are: one magnetic-tape unit (25  $\mu\text{s}/\text{byte}$ ); three floppy-disk units (32  $\mu\text{s}/\text{byte}$  each); and a CRT unit (71  $\mu\text{s}/\text{byte}$ ). This combination requires an aggregate bandwidth of 0.1478 byte/ $\mu\text{s}$ . This is well within the F8's upper bandwidth limit of 0.5 byte/ $\mu\text{s}$ .

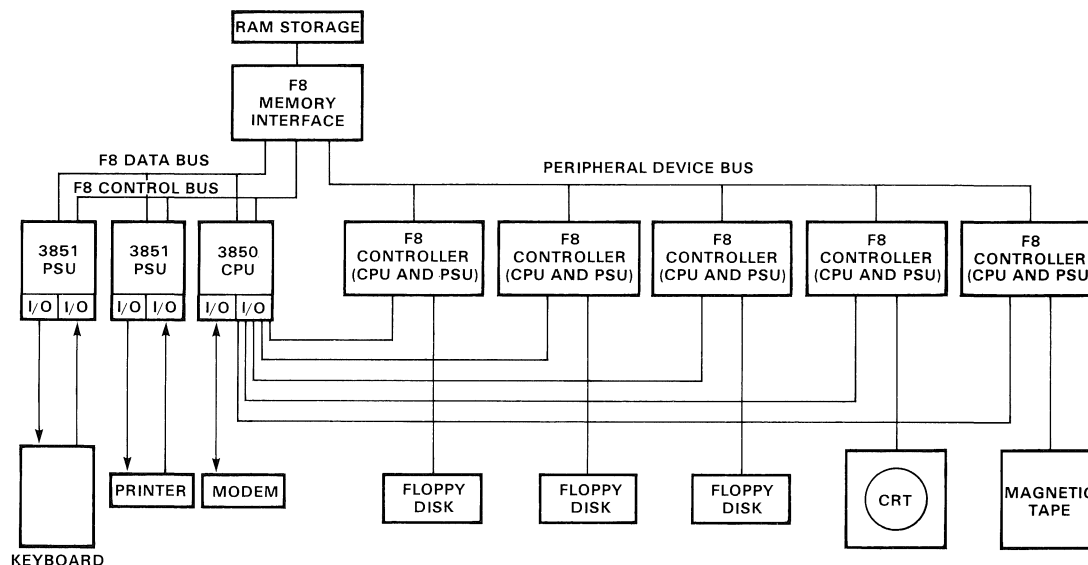


Fig. 4. Multi Microprocessor System





---

## F8 CUSTOMER SUPPORT

Fairchild's F8 system is supported by extensive hardware and software aids. F8 devices, standard RAMs, ROMs and PROMs are available now.

### F8 DEVELOPMENT HARDWARE

- F8M Development Module  
The F8M offers a basic development system for microprocessor projects.
- F8S Development Module\*  
This unit provides expanded capability for memory-intensive applications.
- F8C Microcomputer\*  
The F8C is a complete microcomputer system including power supplies and control panel. I/O ports are brought out to connectors. The F8C is provided with a Native Assembler, Debug Package and Source Editor.

### F8 SOFTWARE

- Cross Assembler (FORTRAN IV)  
Accessible now on the G.E. and NCSS Timeshare Networks. Additional networks available as required.

\*Available soon.

- Cross Simulator (FORTRAN IV)  
Accessible now on the same basis as Cross Assembler.

### F8 DOCUMENTATION

- Microprocessor User's Manual  
The User's Manual provides device specifications, the instruction set in detail, and descriptions of the Cross Assembler and Simulator.
- Microprocessor Application Manual  
The Applications Manual provides initial details concerning bit manipulation, RAM expansion, extension of I/O ports, subroutines and boot strap loaders.

### F8 FIELD SUPPORT

- Training  
A complete, hands-on, in-depth workshop to enable F8 users and potential users to design both hardware and software using the F8 microprocessor.
- Field Application Engineers  
Fairchild's knowledgeable FAEs will provide on-the-spot assistance with any F8 system application.

## F8 INSTRUCTION SET SUMMARY

The F8 instruction set contains over 60 different instructions which may be subdivided into 10 categories: Accumulator, Scratchpad Register, Indirect Scratchpad Address Register, Memory Reference, Data Counter, Status Register, Program Counter, Branch, Interrupt Control and Input/Output instructions. Because 55% of the F8 instructions are only one byte long, programs are short and memory requirements significantly reduced. An alphabetic listing of the instructions is shown below. The following pages contain a complete description of the F8 instructions, including the cycle time. Each cycle is 2  $\mu$ s for a system with a 2 MHz clock frequency.

### F8 ADDRESSING MODES

The F8 instruction set has eight modes of referencing either I/O, CPU registers or bulk memory.

**Implied Addressing** – The data for this one-byte instruction is implied by the actual instruction. For example, the POP instruction automatically implies that the content of the Program Counter will be set to the value contained in the Stack Register.

**Direct Addressing** – In these two-byte instructions, the address of the operand is contained in the second byte of the instruction. The Direct Addressing mode is used in the Input/Output class of instructions.

**Short Immediate Addressing** – Instructions whose addressing mode is Short Immediate have the instruction op code as the first four bits and the operand as the last four bits. They are all one-byte instructions.

**Long Immediate Addressing** – In these two-byte instructions, the first instruction byte is the op code and the second byte is the 8-bit operand.

**Direct Register Addressing** – This mode of addressing may be used to directly reference the Scratchpad Registers. By including the register number in the one-byte instruction, 12 of the 64 Scratchpad Registers may be referenced directly.

**Indirect Register Addressing** – All 64 Scratchpad Registers may be indirectly referenced, using the Indirect Scratchpad Register in the CPU. This 6-bit register, which acts as a pointer to the scratchpad memory, may either be incremented, decremented, or left unchanged while accessing the scratchpad register.

**Indirect Memory Addressing** – A 16-bit Indirect Address Register, the Data Counter, points to either data or constants in bulk memory. A group of one-byte instructions is provided to manipulate this area of memory. These instructions imply that the Data Counter is pointing to the desired memory byte. The Data Counter is self-incrementing, allowing for an entire data field to be scanned and manipulated without requiring special instructions to increment its content. The memory interface circuit contains two interchangeable data counters.

**Relative Addressing** – All F8 Branch Instructions use the relative addressing mode. Whenever a branch is taken, the Program Counter is updated by an 8-bit relative address contained in the second byte of the instruction. A branch may extend 128 locations forward or 127 locations back.

### ALPHABETIC LIST OF INSTRUCTIONS

ADC	Add Data Counter with Accumulator	DCI	Load Data Counter Immediate	NI	Logical AND Accumulator Immediate
AI	Add Immediate with Accumulator	DI	Disable Interrupt	NM	Logical AND Memory Accumulator
AM	Add Binary Accumulator with Memory	DS	Decrement Scratchpad Register	NOP	No Operation
AMD	Add Decimal Accumulator with Memory			NS	Logical AND Scratchpad and Accumulator
AS	Add Binary Accumulator with Scratchpad Register	EI	Enable Interrupt		
ASD	Add Decimal Accumulator with Scratchpad Register			OI	Logical OR Immediate
		INC	Increment Accumulator	OM	Logical OR Memory with Accumulator
BC	Branch on Carry	IN	Input	OUT	Output
BF	Branch on False Condition	INS	Input Short	OUTS	Output Short
BM	Branch if Negative				
BNC	Branch if no Carry	JMP	Jump	PI	Push Program Counter into Stack Register
BNO	Branch if no Overflow	LI	Load Accumulator Immediate		Set Program Counter to New Location
BNZ	Branch if no Zero	LIS	Load Accumulator Short	PK	Push Program Counter into Stack Register
BP	Branch if Positive	LISL	Load ISAR – Lower 3 Bits		Set Program Counter from Scratchpad
BR	Absolute Branch	LISU	Load ISAR – Upper 3 Bits	POP	Put Stack Register into Program Counter
BR7	Branch if ISAR is not 7	LM	Load Memory		
BT	Branch on True Condition	LNK	Link Carry into Accumulator	SL	Shift Left
BZ	Branch on Zero Condition	LR	Load Register (5 Types)	SR	Shift Right
			Scratchpad		
CI	Compare Immediate		Program Counter	XDC	Exchange Data Counters
CLR	Clear Accumulator		ISAR	XI	Exclusive OR Immediate
CM	Compare with Memory		Status	XM	Exclusive OR Accumulator with Memory
COM	Complement Accumulator		Data Counter	XS	Exclusive OR Accumulator with Scratchpad

## ACCUMULATOR GROUP INSTRUCTIONS

OPERATION	MNEMONIC OP CODE	OPERAND	FUNCTION	MACHINE CODE	BYTES	CYCLES	STATUS BITS			
							OVF	ZERO	CRY	SIGN
ADD CARRY	LNK		$ACC \leftarrow (ACC) + CRY$	19	1	1	1/0	1/0	1/0	1/0
ADD IMMEDIATE	AI	ii	$ACC \leftarrow (ACC) + H'ii'$	24ii	2	2.5	1/0	1/0	1/0	1/0
AND IMMEDIATE	NI	ii	$ACC \leftarrow (ACC) \wedge H'ii'$	21ii	2	2.5	0	1/0	0	1/0
CLEAR	CLR		$ACC \leftarrow H'00'$	70	1	1	-	-	-	-
COMPARE IMMEDIATE	CI	ii	$H'ii' + (\overline{ACC}) + 1$	25ii	2	2.5	1/0	1/0	1/0	1/0
COMPLEMENT	COM		$ACC \leftarrow (ACC) \oplus H'FF'$	18	1	1	0	1/0	0	1/0
EXCLUSIVE-OR IMMEDIATE	XI	ii	$ACC \leftarrow (ACC) \oplus H'ii'$	23ii	2	2.5	0	1/0	0	1/0
INCREMENT	INC		$ACC \leftarrow (ACC) + 1$	1F	1	1	1/0	1/0	1/0	1/0
LOAD IMMEDIATE	LI	ii	$ACC \leftarrow H'ii'$	20ii	2	2.5	-	-	-	-
LOAD IMMEDIATE SHORT	LIS	i	$ACC \leftarrow H'0i'$	7i	1	1	-	-	-	-
OR IMMEDIATE	OI	ii	$ACC \leftarrow (ACC) \vee H'ii'$	22ii	2	2.5	0	1/0	0	1/0
SHIFT LEFT ONE	SL	1	SHIFT LEFT 1	13	1	1	0	1/0	0	1/0
SHIFT LEFT FOUR	SL	4	SHIFT LEFT 4	15	1	1	0	1/0	0	1/0
SHIFT RIGHT ONE	SR	1	SHIFT RIGHT 1	12	1	1	0	1/0	0	1
SHIFT RIGHT FOUR	SR	4	SHIFT RIGHT 4	14	1	1	0	1/0	0	1

## BRANCH INSTRUCTIONS

In all conditional branches  $PC_0 \leftarrow (PC_0) + 2$  if the test condition is not met. Execution is complete in 3.0 cycles.

OPERATION	MNEMONIC OP CODE	OPERAND	FUNCTION	MACHINE CODE	BYTES	CYCLES	STATUS BITS											
							OVF	ZERO	CRY	SIGN								
BRANCH ON CARRY	BC	aa	$PC_0 \leftarrow [(PC_0) + 1] + H'aa'$ if CRY = 1	82aa	2	3.5	-	-	-	-								
BRANCH ON POSITIVE	BP	aa	$PC_0 \leftarrow [(PC_0) + 1] + H'aa'$ if SIGN = 1	81aa	2	3.5	-	-	-	-								
BRANCH ON ZERO	BZ	aa	$PC_0 \leftarrow [(PC_0) + 1] + H'aa'$ if ZERO = 1	84aa	2	3.5	-	-	-	-								
BRANCH ON TRUE	BT	taa	$PC_0 \leftarrow [(PC_0) + 1] + H'aa'$ if any test is true	8taa	2	3.5	-	-	-	-								
			t = TEST CONDITION															
			<table border="1"> <tr> <td>2<sup>2</sup></td> <td>2<sup>1</sup></td> <td>2<sup>0</sup></td> </tr> <tr> <td>ZERO</td> <td>CRY</td> <td>SIGN</td> </tr> </table>	2 <sup>2</sup>	2 <sup>1</sup>	2 <sup>0</sup>	ZERO	CRY	SIGN									
2 <sup>2</sup>	2 <sup>1</sup>	2 <sup>0</sup>																
ZERO	CRY	SIGN																
BRANCH IF NEGATIVE	BM	aa	$PC_0 \leftarrow [(PC_0) + 1] + H'aa'$ if SIGN = 0	91aa	2	3.5	-	-	-	-								
BRANCH IF NO CARRY	BNC	aa	$PC_0 \leftarrow [(PC_0) + 1] + H'aa'$ if CARRY = 0	92aa	2	3.5	-	-	-	-								
BRANCH IF NO OVERFLOW	BNO	aa	$PC_0 \leftarrow [(PC_0) + 1] + H'aa'$ if OVF = 0	98aa	2	3.5	-	-	-	-								
BRANCH IF NOT ZERO	BNZ	aa	$PC_0 \leftarrow [(PC_0) + 1] + H'aa'$ if ZERO = 0	94aa	2	3.5	-	-	-	-								
BRANCH IF FALSE TEST	BF	taa	$PC_0 \leftarrow [(PC_0) + 1] + H'aa'$ if all false test bits	9taa	2	3.5	-	-	-	-								
			t = TEST CONDITION															
			<table border="1"> <tr> <td>2<sup>3</sup></td> <td>2<sup>2</sup></td> <td>2<sup>1</sup></td> <td>2<sup>0</sup></td> </tr> <tr> <td>OVF</td> <td>ZERO</td> <td>CRY</td> <td>SIGN</td> </tr> </table>	2 <sup>3</sup>	2 <sup>2</sup>	2 <sup>1</sup>	2 <sup>0</sup>	OVF	ZERO	CRY	SIGN							
2 <sup>3</sup>	2 <sup>2</sup>	2 <sup>1</sup>	2 <sup>0</sup>															
OVF	ZERO	CRY	SIGN															
BRANCH IF ISAR (LOWER) $\neq 7$	BR7	aa	$PC_0 \leftarrow [(PC_0) + 1] + H'aa'$ if ISARL $\neq 7$ $PC_0 \leftarrow (PC_0) + 2$ if ISARL = 7	8Faa	2	2.5 2.0	-	-	-	-								
BRANCH RELATIVE	BR	aa	$PC_0 \leftarrow [(PC_0) + 1] + H'aa'$	90aa	2	3.5	-	-	-	-								
JUMP*	JMP	aaaa	$PC_0 \leftarrow H'aaaa'$	29aaaa	3	5.5	-	-	-	-								

\*Privileged instruction

## MEMORY REFERENCE INSTRUCTIONS

In all Memory Reference Instructions, the Data Counter is incremented  $DC \leftarrow DC + 1$ .

OPERATION	MNEMONIC OP CODE	OPERAND	FUNCTION	MACHINE CODE	BYTES	CYCLES	STATUS BITS			
							OVF	ZERO	CRY	SIGN
ADD BINARY	AM		$ACC \leftarrow (ACC) + [(DC)]$	88	1	2.5	1/0	1/0	1/0	1/0
ADD DECIMAL	AMD		$ACC \leftarrow (ACC) + [(DC)]$	89	1	2.5	1/0	1/0	1/0	1/0
AND	NM		$ACC \leftarrow (ACC) \wedge [(DC)]$	8A	1	2.5	0	1/0	0	1/0
COMPARE	CM		$[(DC)] + \overline{(ACC)} + 1$	8D	1	2.5	1/0	1/0	1/0	1/0
EXCLUSIVE OR	XM		$ACC \leftarrow (ACC) \oplus [(DC)]$	8C	1	2.5	0	1/0	0	1/0
LOAD	LM		$ACC \leftarrow [(DC)]$	16	1	2.5	-	-	-	-
LOGICAL OR	OM		$ACC \leftarrow (ACC) \vee [(DC)]$	8B	1	2.5	0	1/0	0	1/0
STORE	ST		$(DC) \leftarrow (ACC)$	17	1	2.5	-	-	-	-

## ADDRESS REGISTER GROUP INSTRUCTIONS

OPERATION	MNEMONIC OP CODE	OPERAND	FUNCTION	MACHINE CODE	BYTES	CYCLES	STATUS BITS			
							OVF	ZERO	CRY	SIGN
ADD to DATA COUNTER	ADC		$DC \leftarrow (DC) + (ACC)$	8E	1	2.5	-	-	-	-
CALL to SUBROUTINE*	PK		$PC_0U \leftarrow (r12); PC_0L \leftarrow (r13); PC_1 \leftarrow (PC_0)$	0C	1	4	-	-	-	-
CALL to SUBROUTINE IMMEDIATE*	PI	aaaa	$PC_1 \leftarrow (PC_0); PC_0 \leftarrow H'aaaa$	28aaaa	3	6.5	-	-	-	-
EXCHANGE DC	XDC		$DC_0 \leftrightarrow DC_1$	2C	1	2	-	-	-	-
LOAD DATA COUNTER	LR	DC,Q	$DCU \leftarrow (r14); DCL \leftarrow (r15)$	0F	1	4	-	-	-	-
LOAD DATA COUNTER	LR	DC,H	$DCU \leftarrow (r10); DCL \leftarrow (r11)$	10	1	4	-	-	-	-
LOAD DC IMMEDIATE	DCI	aaaa	$DC \leftarrow H'aaaa'$	2Aaaaa	3	6	-	-	-	-
LOAD PROGRAM COUNTER	LR	PO,Q	$PC_0U \leftarrow (r14); PC_0L \leftarrow (r15)$	0D	1	4	-	-	-	-
LOAD STACK REGISTER	LR	P,K	$PC_1U \leftarrow (r12); PC_1L \leftarrow (r13)$	09	1	4	-	-	-	-
RETURN FROM SUBROUTINE*	POP		$PC_0 \leftarrow (PC_1)$	1C	1	2	-	-	-	-
STORE DATA COUNTER	LR	Q,DC	$r14 \leftarrow (DCU); r15 \leftarrow (DCL)$	0E	1	4	-	-	-	-
STORE DATA COUNTER	LR	H,DC	$r10 \leftarrow (DCU); r11 \leftarrow (DCL)$	11	1	4	-	-	-	-
STORE STACK REGISTER	LR	K,P	$r12 \leftarrow (PC_1U); r13 \leftarrow (PC_1L)$	08	1	4	-	-	-	-

## SCRATCHPAD REGISTER INSTRUCTIONS

(Refer to Scratchpad Addressing Modes)

OPERATION	MNEMONIC OP CODE	OPERAND	FUNCTION	MACHINE CODE	BYTES	CYCLES	STATUS BITS			
							OVF	ZERO	CRY	SIGN
ADD BINARY	AS	r	$ACC \leftarrow (ACC) + (r)$	Cr	1	1	1/0	1/0	1/0	1/0
ADD DECIMAL	ASD	r	$ACC \leftarrow (ACC) + (r)$	Dr	1	2	1/0	1/0	1/0	1/0
DECREMENT	DS	r	$r \leftarrow (r) + H'FF'$	3r	1	1.5	1/0	1/0	1/0	1/0
LOAD	LR	A,r	$ACC \leftarrow (r)$	4r	1	1	-	-	-	-
LOAD	LR	A,KU	$ACC \leftarrow (r12)$	00	1	1	-	-	-	-
LOAD	LR	A,KL	$ACC \leftarrow (r13)$	01	1	1	-	-	-	-
LOAD	LR	A,QU	$ACC \leftarrow (r14)$	02	1	1	-	-	-	-
LOAD	LR	A,QL	$ACC \leftarrow (r15)$	03	1	1	-	-	-	-
LOAD	LR	r,A	$r \leftarrow (ACC)$	5r	1	1	-	-	-	-
LOAD	LR	KU,A	$r12 \leftarrow (ACC)$	04	1	1	-	-	-	-
LOAD	LR	KL,A	$r13 \leftarrow (ACC)$	05	1	1	-	-	-	-
LOAD	LR	QU,A	$r14 \leftarrow (ACC)$	06	1	1	-	-	-	-
LOAD	LR	QL,A	$r15 \leftarrow (ACC)$	07	1	1	-	-	-	-
AND	NS	r	$ACC \leftarrow (ACC) \wedge (r)$	Fr	1	1	0	1/0	0	1/0
EXCLUSIVE OR	XS	r	$ACC \leftarrow (ACC) \oplus (r)$	Er	1	1	0	1/0	0	1/0

\*Privileged instruction



## MISCELLANEOUS INSTRUCTIONS

OPERATION	MNEMONIC OP CODE	OPERAND	FUNCTION	MACHINE CODE	BYTES	CYCLES	STATUS BITS			
							OVF	ZERO	CRY	SIGN
DISABLE INTERRUPT	DI		RESET ICB	1A	1	2	-	-	-	-
ENABLE INTERRUPT*	EI		SET ICB	1B	1	2	-	-	-	-
INPUT	IN	aa	ACC $\leftrightarrow$ (INPUT PORT aa)	26aa	2	4	0	1/0	0	1/0
INPUT SHORT	INS	a	ACC $\leftrightarrow$ (INPUT PORT a)	Aa	1	4***	0	1/0	Q	1/0
LOAD ISAR	LR	IS,A	ISAR $\leftarrow$ (ACC)	0B	1	1	-	-	-	-
LOAD ISAR LOWER	LISL	a	ISARL $\leftarrow$ a	1101a**	1	1	-	-	-	-
LOAD ISAR UPPER	LISU	a	ISARU $\leftarrow$ a	01100a**	1	1	-	-	-	-
LOAD STATUS REGISTER*	LR	W,J	W $\leftarrow$ (r9)	1D	1	2	1/0	1/0	1/0	1/0
NO-OPERATION	NOP		PC <sub>0</sub> $\leftarrow$ (PC <sub>0</sub> ) + 1	2B	1	1	-	-	-	-
OUTPUT	OUT	aa	OUTPUT PORT aa $\leftarrow$ (ACC)	27aa	2	4	-	-	-	-
OUTPUT SHORT	OUTS	a	OUTPUT PORT a $\leftarrow$ (ACC)	Ba	1	4***	-	-	-	-
STORE ISAR	LR	A,IS	ACC $\leftarrow$ (ISAR)	0A	1	1	-	-	-	-
STORE STATUS REG	LR	J,W	r9 $\leftarrow$ (W)	1E	1	1	-	-	-	-

\*Privileged instruction

\*\*3-bit octal digit

\*\*\*2 machine cycles for CPU ports

## NOTES

Each lower case character represents a Hexadecimal digit

Each cycle equals 4 machine clock periods

Lower case denotes variables specified by programmer

### Function Definitions

$\leftarrow$	is replaced by
( )	the contents of
(-)	Binary "1"s complement of
+	Arithmetic Add (Binary or Decimal)
$\oplus$	Logical "OR" exclusive
$\wedge$	Logical "AND"
$\vee$	Logical "OR" inclusive
H	Hexadecimal digit

### Register Names

a	Address Variable
A	Accumulator
DC	Data Counter (Indirect Address Register)
DC <sub>0</sub>	Data Counter #0 (Indirect Address Register #0)
DC <sub>1</sub>	Data Counter #1 (Indirect Address Register #1)
DCL	Least significant 8 bits of Data Counter Addressed
DCU	Most significant 8 bits of Data Counter Addressed
H	Scratchpad Register #10 and #11
i and ii	immediate operand
ICB	Interrupt Control Bit
IS	Indirect Scratchpad Address Register
ISAR	Indirect Scratchpad Address Register
ISARL	Least Significant 3 bits of ISAR
ISARU	Most Significant 3 bits of ISAR
J	Scratchpad Register #9

K	Registers #12 and #13
KL	Register #13
KU	Register #12
PC <sub>0</sub>	Program Counter
PC <sub>0</sub> L	Least Significant 8 bits of Program Counter
PC <sub>0</sub> U	Most Significant 8 bits of Program Counter
PC <sub>1</sub>	Stack Register
PC <sub>1</sub> L	Least Significant 8 bits of Program Counter
PC <sub>1</sub> U	Most Significant 8 bits of Active Stack Register
Q	Registers #14 and #15
QL	Register #15
QU	Register #14
r	Scratchpad Register (any address thru 11)
W	Status Register

### Scratchpad Addressing Modes (Machine Code Format)

r = C	(Hexadecimal), Register Addressed by ISAR (Unmodified)
r = D	(Hexadecimal), Register Addressed by ISAR; ISARL Incremented
r = E	(Hexadecimal), Register Addressed by ISAR; ISARL Decrementd
r = F	(No operation performed)
r = 0	(Hexadecimal), Register 0 thru 11 addressed directly from thru B the Instruction

### Status Register

-	No change in condition
1/0	is set to "1" or "0" depending on conditions
CRY	Carry Flag
OVF	Overflow Flag
SIGN	Sign of Result Flag
ZERO	Zero Flag

**POWER REQUIREMENTS:**  $V_{DD} = +5.0\text{ V} \pm 5\%$ ;  $V_{GG} = +12.0\text{ V} \pm 5\%$ ;  $V_{SS} = 0\text{ V}$ ;  $T_A = 0^\circ\text{C}$  to  $70^\circ\text{C}$ ;  $f = 2\text{ MHz}$

PART TYPE	SYMBOL	PARAMETER	TYP	MAX	UNITS	TEST CONDITIONS (Outputs Unloaded)
3850	$I_{DD}$	$V_{DD}$ Current	30	80	mA	2 MHz
	$I_{GG}$	$V_{GG}$ Current	15	25	mA	
3851	$I_{DD}$	$V_{DD}$ Current	30	70	mA	2 MHz
	$I_{GG}$	$V_{GG}$ Current	10	18	mA	
3852	$I_{DD}$	$V_{DD}$ Current	35	70	mA	2 MHz
3853	$I_{GG}$	$V_{GG}$ Current	13	30	mA	
3854	$I_{DD}$	$V_{DD}$ Current	20	40	mA	2 MHz
	$I_{GG}$	$V_{GG}$ Current	15	28	mA	

**SIGNAL ELECTRICAL**

**SPECIFICATIONS** :  $V_{DD} = +5.0\text{ V} \pm 5\%$ ;  $V_{GG} = +12.0\text{ V} \pm 5\%$ ;  $V_{SS} = 0\text{ V}$ ;  $T_A = 0^\circ\text{C}$  to  $70^\circ\text{C}$ ;  $f = 2\text{ MHz}$

SIGNAL NAME (NUMBER, TYPE)	SOURCE OR RECEIVING DEVICE	$V_{OH}$ MIN	$V_{IH}$ MIN	$V_{OL}$ MAX	$V_{IL}$ MAX	LOAD
DATA BUS (8 INPUTS/OUTPUTS)	3850 3851 3852/3 3854	3.9	3.5	0.4	0.8	100 pF $I_{SOURCE} = -100\ \mu\text{A}$ $I_{SINK} = 900\ \mu\text{A}$
CONTROL BUS (5 OUTPUTS)	3850	3.9		0.4		100 pF, $I_{SINK} = 900\ \mu\text{A}$ $I_{SOURCE} = -100\ \mu\text{A}$
CONTROL BUS (5 INPUTS) <sup>1</sup>	3851 3852/3		3.5		0.8	
I/O PORTS (16 INPUTS/OUTPUTS)	3850 3851	2.9 (1 TTL) 3.9 (unloaded)	3.5 <sup>2</sup>	0.4	0.8	100 pF plus 1 H-TTL Load
CLOCK REFERENCE (INPUT)	3850		4.0		0.8	
SYSTEM CLOCKS (PHI AND WRITE OUTPUTS)	3850	4.4		0.4		100 pF, $I_{SINK} = 900\ \mu\text{A}$ $I_{SOURCE} = -100\ \mu\text{A}$
SYSTEM CLOCKS (PHI AND WRITE INPUTS)	3851 3852/3 3854		4.0		0.8	
RESET (INPUT)	3850		3.5 <sup>2</sup>		0.8	$I_{IL} = 0.3\text{ mA}$ Max at $V_{IN} = V_{SS}$
INTERRUPT CONTROL BIT (OUTPUT)	3850	3.9		0.4		50 pF plus $100\ \mu\text{A}$ $I_{SOURCE}$ or $I_{SINK}$
INTERRUPT REQUEST (INPUT)	3850		3.5 <sup>2</sup>		0.8	$I_{IL} = 1\text{ mA}$ Max at $V_{IN} = 0.4$
INTERRUPT REQUEST (OUTPUT)	3851 3853	OPEN DRAIN		0.4		100 pF plus $I_{SINK} = 1\text{ mA}$
EXTERNAL INTERRUPT (INPUT)	3851 3853		3.5		1.2	
PRIORITY IN (INPUT)	3851 3853		3.5		0.8	
PRIORITY OUT (OUTPUT)	3851	3.9		0.4		50 pF plus $100\ \mu\text{A}$ $I_{SOURCE}$ or $I_{SINK}$
DBDR (OUTPUT)	3851	OPEN DRAIN <sup>3</sup>		0.4		100 pF plus $I_{SINK} = 2.5\text{ mA}$
ADDRESS LINES and RAM WRITE (16 OUTPUTS)	3852/3 3854	4.0		0.4		500 pF plus 2 TTL Loads
REGDR (INPUT/OUTPUT)	3852/3	3.9	3.5	0.4	0.8	100 pF plus 1 H-TTL Load
CPU READ (OUTPUT)	3852/3	3.9		0.4		50 pF plus 1 H-TTL Load
MEM IDLE, CYCLE REQ and CPU SLOT (OUTPUTS)	3852	3.9		0.4		50 pF plus 1 H-TTL Load
MEM IDLE (INPUT)	3854		3.5		0.8	
ENABLE, DIRECTION, TRANSFER, DMA WRITE SLOT, STROBE (OUTPUTS)	3854	3.9		0.4		50 pF plus 1 H-TTL Load
XFER REQ, P1,P2 (INPUTS)	3854		3.5		0.8	
LOAD REG, READ REG (INPUTS)	3854		3.5		0.8	

<sup>1</sup>3854 receives two control signals from external decoding device. <sup>2</sup>Internal pull-up resistor to  $V_{DD}$ . <sup>3</sup>External pull-up resistor required.

## FAIRCHILD U.S. SALES OFFICES

**\*HUNTSVILLE, ALABAMA**  
3322 So. Memorial Parkway 35801  
Suite 92  
Tel: 205-883-7020 TWX: 810-726-2214

**PHOENIX, ARIZONA**  
4414 N. 19th Avenue 85015  
Suite G  
Tel: 602-264-4948 TWX: 910-951-1544

**\*LOS ANGELES, CALIFORNIA**  
6922 Hollywood Blvd. 90028  
Suite 818  
Tel: 213-466-8393 TWX: 910-321-3009

**SAN DIEGO, CALIFORNIA**  
8333 Clairemont Mesa Blvd. 92111  
Suite 109  
Tel: 714-279-6021

**\*SANTA ANA, CALIFORNIA**  
2101 East Fourth St. 92705  
Bl'g. B, Suite 185  
Tel: 714-558-1881 TWX: 910-595-1109

**\*SANTA CLARA, CALIFORNIA**  
3080 Olcott Street 95050  
Suite 210A  
Tel: 408-244-1400 TWX: 910-338-0241

**\*DENVER, COLORADO**  
7475 W. 5th Ave., Suite 100  
Lakewood, Colo. 80226  
Tel: 303-234-9292

**\*STAMFORD, CONNECTICUT**  
2nd Floor  
2777 Summers Street 06905  
Tel: 203-348-7701 TWX: 710-474-1763

**ORLANDO, FLORIDA**  
Crane's Roost Office Park  
303 Whooping Loop  
Altamonte Springs, Fla. 32701  
Tel: 305-834-7000 TWX: 810-850-0152

**TAMPA, FLORIDA**  
12945 Seminole Blvd.  
Florida Twin Towers Bldg. 2, Room 6  
Largo, Fla. 33540  
Tel: 813-585-3892

**\*CHICAGO, ILLINOIS**  
9950 W. Lawrence Avenue  
Room 311  
Schiller Park, Ill. 60176  
Tel: 312-671-4660 TWX: 910-227-0051

**FORT WAYNE, INDIANA**  
2118 Inwood Drive 46805  
Suite 111  
Tel: 219-483-6453 TWX: 810-332-1507

**\*INDIANAPOLIS, INDIANA**  
7202 N. Shadeland 46250  
Tel: 317-849-5412 TWX: 810-260-1793

**BLADENSBURG, MARYLAND**  
5801 Annapolis Road 20710  
Suite 500  
Tel: 301-779-0954 TWX: 710-826-9654

**\*BOSTON, MASSACHUSETTS**  
888 Worcester Street  
Wellesley Hills, Mass. 02181  
Tel: 617-237-3400 TWX: 710-348-0424

**DETROIT, MICHIGAN**  
Westland Office Plaza  
33300 Warren Avenue Suite 101  
Westland, Mich. 48185  
Tel: 313-425-3250 TWX: 810-242-2973

**MINNEAPOLIS, MINNESOTA**  
7600 Parklawn Avenue  
Room 251  
Edina, Minn. 55435  
Tel: 612-835-3322 TWX: 910-576-2944

**WAYNE, NEW JERSEY**  
580 Valley Road 07490  
Suite 1  
Tel: 201-696-7070

**ALBUQUERQUE, NEW MEXICO**  
2403 San Mateo N.E. 87110  
Plaza #2  
Tel: 505-265-5601 TWX: 910-989-1186

**BINGHAMTON, NEW YORK**  
3215 E. Main St. Suite 7  
Endwell, NY 13760  
Tel: 607-754-1094

**\*MELVILLE, NEW YORK**  
275 Broadhollow Road 11746  
Tel: 516-293-2900 TWX: 510-224-6480

**POUGHKEEPSIE, NEW YORK**  
15 College View Ave. 12603  
Tel: 914-452-4200 TWX: 510-248-0030

**\*ROCHESTER, NEW YORK**  
600 Kreag Rd.  
Pittsford, NY 14534  
Tel: 716-385-1130

**SYRACUSE, NEW YORK**  
333 E. Onondaga Street 13202  
Tel: 315-471-3391 TWX: 710-541-0499

**CLEVELAND, OHIO**  
6151 Wilson Mills Rd.  
Suite 101  
Highland Heights, Ohio 44143  
Tel: 216-461-8288 TWX: 810-427-9271

**DAYTON, OHIO**  
4812 Frederick Road 45414  
Suite 101  
Tel: 513-278-8278 TWX: 810-459-1803

**TULSA, OKLAHOMA**  
5321 S. Sheridan Road 74145  
Suite 15  
Tel: 918-663-7131

**\*PHILADELPHIA, PENNSYLVANIA**  
Fort Washington Industrial Park  
500 Office Center  
Fort Washington, Pa. 19034  
Tel: 215-886-6623 TWX: 510-665-1654

**SENECA, SOUTH CAROLINA**  
27 Normany Shores  
Annex 2, RFD  
Seneca, South Carolina 29678  
Tel: 803-882-1760

**\*DALLAS, TEXAS**  
13771 N. Central Expressway 75231  
Suite 809  
Tel: 214-234-3391 TWX: 910-867-4757

**\*HOUSTON, TEXAS**  
6430 Hillcroft 77036  
Suite 102  
Tel: 713-771-3547 TWX: 910-881-6278

**MILWAUKEE, WISCONSIN**  
4642 76th Street  
Suite 101  
Greenfield, Wisconsin 53220  
Tel: 414-282-5260

## INTERNATIONAL FIELD SALES OFFICES

**AUSTRALIA**  
Fairchild Australia Pty. Ltd.  
420 Mount Dandenong Road  
Croydon, Victoria, 3136  
Australia  
Tel: 723-4131 TWX: 30846

**AUSTRIA**  
Fairchild Electronics  
Schwedenplatz 2  
1010 Vienna  
Tel: 0043 222635821  
Telex: 0047 75096

**BRAZIL**  
Fairchild Electronica Ltd.  
Caixa Postal 30407  
Rua de Consola Cao, 3542  
Sao Paulo S.P., Brazil  
Tel: 81-6168 Telex: 021-261  
Cable: FAIRLEC

**CANADA**  
Toronto Regional Office  
FSC  
1590 Matheson Blvd. Unit 26  
Mississauga, Ontario L4W 1J1, Canada  
Tel: 416-625-7070 TWX: 610-492-4311

Fairchild Semiconductor  
1385 Mazurette Suite 3  
Montreal, Quebec, H4N 1G8, Canada  
Tel: 514-382-2552 TWX: 610-421-3178

**FRANCE**  
Fairchild Semiconducteurs, S.A.  
121 Avenue d'Italien  
750310, Paris, France  
Tel: 00331 5805566  
Telex: 0042 20614

**GERMANY**  
Fairchild Halbleiter GmbH  
European Headquarters  
6202 Wiesbaden-Biebrich  
Postfach 4559  
Hagenauer Strasse 38  
Tel: 06121 2051 Telex: 841-4186588

Fairchild Halbleiter GmbH  
8 Munchen 80  
Truderinger Str. 13  
Tel: 089 4701091-3 Telex: 05 24831

Fairchild Halbleiter GmbH  
8500 Nurnberg  
Waldluststr. 1  
Tel: 0911 407005 Telex: 06-23665

Fairchild Halbleiter GmbH  
725 Leonberg-Eltingen  
Poststr. 37  
Tel: 07152-41026 Telex: 07-22644

**HONG KONG**  
Fairchild Semiconductor (HK) Ltd.  
135 Hoi Bun Road  
Kwun Tong  
Kowloon, Hong Kong  
Tel: K-890271 Telex: HKG-531

**ITALY**  
Fairchild Semiconduttori, S.p.A.  
Viale Cortina d'Ampezzo, 152  
00135 Rome, Italy  
Tel: 00396 3274006

Fairchild Semiconduttori S.p.A.  
Via Rossellini, 12  
20124 Milano, Italy  
Tel: 00392 6887451-5

**JAPAN**  
TDK-Fairchild  
Sanyo Kokusaku Pulp Bldg. 2nd Fl.  
7-8 Shibuya 1-Chome  
Shibuya-ku  
Tokyo 150, Japan  
Tel: 03-400-8351 Telex: 2424173

**MEXICO**  
Fairchild Mexicana S.A.  
Blvd. Adolfo Lopez Mateos No. 163  
Mexico 19, D.F.  
Tel: 905-563-5411 Telex: 017-71-038

**SCOTLAND**  
Fairchild Semiconductor Ltd.  
Shiel House  
Craigshill  
Livingston  
West Lothian, Scotland  
Tel: 00445 8932891  
Telex: 0051 72629

**SWEDEN**  
Fairchild Semiconductor AB  
Svartengsgatan 6,  
S-11620 Stockholm  
Tel: 00468-449255 Telex: 0054-17759

**TAIWAN**  
Fairchild Semiconductor (Taiwan) Ltd.  
Hsietsu Building, Room 502  
47 Chung Shan North Road  
Sec. 3, Taipei, Taiwan  
Tel: 573205 thru 573207

**THE NETHERLANDS**  
Fairchild Semiconductor  
Paradijslaan 39  
Eindhoven, Holland  
Tel: 003140-446909 Telex: 0044-51024

**UNITED KINGDOM**  
Fairchild Semiconductor Ltd.  
Kingmaker House  
Station Road  
New Barnet/Hertfordshire  
Tel: 00441 4407311 Telex: 0051 262835

\*Field Applications Engineer available.

# FAIRCHILD FRANCHISED U.S. DISTRIBUTORS

## ALABAMA

**HALLMARK ELECTRONICS**  
4739 Commercial Drive  
Huntsville, Alabama 35805  
Tel: 205-837-8700 TWX: 810-726-2187

**HAMILTON/AVNET ELECTRONICS**  
805 Oster Drive, N.W.  
Huntsville, Alabama 35805  
Tel: 205-533-1170  
Telex: None — use HAMA VLECB DAL 73-0511  
(Regional Hq. in Dallas, Texas)

## ARIZONA

**HAMILTON/AVNET ELECTRONICS**  
2615 S. 21st Street  
Phoenix, Arizona 85034  
Tel: 602-275-7851 TWX: 910-951-1535

**LIBERTY ELECTRONICS/ARIZONA**  
3130 N. 27th Avenue  
Phoenix, Arizona 85016  
Tel: 602-257-1272 TWX: 910-951-4282

## CALIFORNIA

**AVNET ELECTRONICS**  
10916 W. Washington Blvd.  
Culver City, California 90230  
Tel: 213-558-2345 TWX: 910-340-6364

**BELL INDUSTRIES**  
Electronic Distributor Division  
1161 N. Fair Oaks Avenue  
Sunnyvale, California 94086  
Tel: 408-734-8570 TWX: 910-339-9378

**ELMAR ELECTRONICS**  
2288 Charleston Rd.  
Mountain View, California 94042  
Tel: 415-961-3611 TWX: 910-379-6437

**HAMILTON ELECTRO SALES**  
10912 W. Washington Blvd.  
Culver City, California 90230  
Tel: 213-558-2121 TWX: 910-340-6364

**HAMILTON/AVNET ELECTRONICS**  
575 E. Middlefield Road  
Mountain View, California 94040  
Tel: 415-961-8600 TWX: 910-379-6486

**HAMILTON/AVNET ELECTRONICS**  
8917 Complex Drive  
San Diego, California 92123  
Tel: 714-279-2421  
Telex: HAMA VLECB SDG 69-5415

**G.S. MARSHALL COMPANY**  
9674 Telstar Avenue  
El Monte, California 91731  
Tel: 213-686-0141 TWX: 910-587-1565

**G.S. MARSHALL COMPANY**  
17975 Skypark Blvd.  
Irvine, California 92707  
Tel: 714-556-6400

**G.S. MARSHALL COMPANY**  
8057 Raytheon Rd., Suite 1  
San Diego, California 92111  
Tel: 714-278-6350 TWX: 910-335-1191

**LIBERTY ELECTRONICS**  
124 Maryland Street  
El Segundo, California 90245  
Tel: 213-322-8100 TWX: 910-348-7111

**LIBERTY ELECTRONICS/SAN DIEGO**  
8248 Mercury Court  
San Diego, California 92111  
Tel: 714-565-9171 TWX: 910-335-1590

**COLORADO**  
**ELMAR ELECTRONICS**  
6777 E. 50th Avenue  
Commerce City, Colorado 80022  
Tel: 303-287-9611 TWX: 910-936-0770

**G.S. MARSHALL COMPANY**  
5633 Kendall Court  
Arvada, Colorado 80002  
Tel: 303-423-9670 TWX: 910-938-2902

**HAMILTON/AVNET ELECTRONICS**  
5921 N. Broadway  
Denver, Colorado 80216  
Tel: 303-534-1212 TWX: 910-931-0510

**CONNECTICUT**  
**HAMILTON/AVNET ELECTRONICS**  
643 Danbury Road  
Georgetown, Connecticut 06829  
Tel: 203-762-0361  
TWX: None — use 710-897-1405  
(Regional Hq. in Mt. Laurel, N.J.)

**HARVEY ELECTRONICS**  
112 Main Street  
Norwalk, Connecticut 06851  
Tel: 203-853-1515

**SCHWEBER ELECTRONICS**  
Finance Drive  
Commerce Industrial Park  
Danbury, Connecticut 06810  
Tel: 203-792-3500

## FLORIDA

**HALLMARK ELECTRONICS**  
1302 W. McNab Road  
Ft. Lauderdale, Florida 33309  
Tel: 305-971-9280 TWX: 510-956-3092

**HALLMARK ELECTRONICS**  
7233 Lake Ellenor Drive  
Orlando, Florida 32809  
Tel: 305-855-4020 TWX: 810-850-0183

**HAMILTON/AVNET ELECTRONICS**  
4020 North 29th Avenue  
Hollywood, Florida 33021  
Tel: 305-925-5401 TWX: 510-954-9808

**SCHWEBER ELECTRONICS**  
2830 North 28th Terrace  
Hollywood, Florida 33020  
Tel: 305-927-0511 TWX: 510-954-0304

## GEORGIA

**HAMILTON/AVNET ELECTRONICS**  
6700 Interstate 85 Access Road, Suite 1E  
Norcross, Ga. 30071  
Tel: 404-448-0800  
Telex: None — use HAMA VLECB DAL 73-0511  
(Regional Hq. in Dallas, Texas)

**SCHWEBER ELECTRONICS**  
4126 Pleasantdale Rd., Suite 14  
Atlanta, Ga. 30340  
Tel: 404-449-9170

## ILLINOIS

**ALLIED ELECTRONICS**  
1355 Steepy Hollow Road  
Elgin, Illinois 60120  
Tel: 312-697-8200  
Telex: 72-2465 or 72-2466

**KIERULFF ELECTRONICS**  
9340 Williams Street  
Rosemont, Illinois 60018  
Tel: 312-678-8560 TWX: 910-227-3166

**HAMILTON/AVNET ELECTRONICS**  
3901 N. 25th Avenue  
Schiller Park, Illinois 60176  
Tel: 312-678-6310 TWX: 910-227-0060

**SCHWEBER ELECTRONICS, INC.**  
1380 Jarvis Ave.  
Elk Grove Village, Ill. 60007  
Tel: 312-593-2740 TWX: 910-222-3453

**SEMICONDUCTOR SPECIALISTS, INC.**  
(mailing address)  
O'Hare International Airport  
P.O. Box 66125  
Chicago, Illinois 60666  
(shipping address)  
195 Spangler Avenue  
Elmhurst Industrial Park  
Elmhurst, Illinois 60126  
Tel: 312-279-1000 TWX: 910-254-0169

## INDIANA

**PIONEER INDIANA ELECTRONICS, INC.**  
6408 Castleplace Drive  
Indianapolis, Indiana 46250  
Tel: 317-849-7300 TWX: 810-260-1794

**SEMICONDUCTOR SPECIALISTS, INC.**  
(mailing address)  
Weir Cook Airport  
P.O. Box 41630  
Indianapolis, Indiana 46241  
(shipping address)  
1885 Banner Ave.  
Indianapolis, Indiana 46241  
Tel: 317-243-8271 TWX: 810-341-3126

## IOWA

**SCHWEBER ELECTRONICS**  
Suite 302, Executive Plaza  
4403 First Avenue S.E.  
Cedar Rapids, Iowa 52402  
Tel: 319-393-9125

## KANSAS

**HAMILTON/AVNET ELECTRONICS**  
37 Lenexa Industrial Center  
9900 Pflumm Road  
Lenexa, Kansas 66215  
Tel: 913-888-8900  
Telex: None — use HAMA VLECB DAL 73-0511  
(Regional Hq. in Dallas, Texas)

## LOUISIANA

**STERLING ELECTRONICS CORP.**  
4613 Fairfield  
Metairie, Louisiana 70002  
Tel: 504-887-7610  
Telex: STERLE LEC MRIE 58-328

## MARYLAND

**HAMILTON/AVNET ELECTRONICS**  
(mailing address)  
Friendship International Airport  
P.O. Box 8647  
Baltimore, Maryland 21240

(shipping address)  
7255 Standard Drive  
Hanover, Maryland 21076  
Tel: 301-796-5000 TWX: 710-862-1861  
Telex: HAMA VLECA HNVE 87-968

**SCHWEBER ELECTRONICS**  
5640 Fisher Lane  
Rockville, Maryland 20852  
Tel: 301-881-2970 TWX: 710-828-0536

**PIONEER WASHINGTON ELECTRONICS, INC.**  
9100 Gaither Road  
Gaithersburg, Maryland 20760  
Tel: 301-948-0710 TWX: 710-828-9784

## MASSACHUSETTS

**GERBER ELECTRONICS**  
852 Providence Highway  
U.S. Route 1  
Dedham, Massachusetts 02026  
Tel: 617-239-2400

**HAMILTON/AVNET ELECTRONICS**  
185 Cambridge Street  
Burlington, Massachusetts 01803  
Tel: 617-273-2120 TWX: 710-332-1201

**KIERULFF ELECTRONICS**  
13 Fortune Drive  
Billerica, Massachusetts 01865  
Tel: 617-667-8331 (Local)  
617-935-5134 (from Boston Area)  
TWX: 710-390-1449

**SCHWEBER ELECTRONICS**  
213 Third Avenue  
Waltham, Massachusetts 02154  
Tel: 617-890-8484

## MICHIGAN

**HAMILTON/AVNET ELECTRONICS**  
12870 Farmington Rd.  
Livonia, Michigan 48150  
Tel: 313-522-4700 TWX: 810-242-8775

**PIONEER/DETROIT**  
13485 Stamford  
Livonia, Michigan 48150  
Tel: 313-525-1800

**SCHWEBER ELECTRONICS**  
86 Executive Drive  
Troy, Michigan 48084  
Tel: 313-583-9242

**SHERIDAN SALES CO.**  
24543 Indoplex Drive (P.O. Box 529)  
Farmington, Mich. 48024  
Tel: 313-477-3800

## MINNESOTA

**HAMILTON/AVNET ELECTRONICS**  
7683 Washington Ave. South  
Edina, Minnesota 55435  
Tel: 612-941-3801  
TWX: None — use 910-227-0060  
(Regional Hq. in Chicago, Ill.)

**SCHWEBER ELECTRONICS**  
7015 Washington Ave. South  
Edina, Minnesota 55435  
Tel: 612-941-5280

**SEMICONDUCTOR SPECIALISTS, INC.**  
8030 Cedar Avenue South  
Minneapolis, Minnesota 55420  
Tel: 612-854-8841 TWX: 910-576-2812

## MISSOURI

**HAMILTON/AVNET ELECTRONICS**  
364 Brookes Lane  
Hazelwood, Missouri 63042  
Tel: 314-731-1144  
Telex: HAMA VLECA HAZW 44-2348

**SEMICONDUCTOR SPECIALISTS, INC.**  
3805 N. Oak Trafficway  
Kansas City, Mo. 64116  
Tel: 816-452-3900 TWX: 910-771-2114

**SEMICONDUCTOR SPECIALISTS, INC.**  
Lakeview Square  
1020 Anglum Road  
Hazelwood, Missouri 63042  
Tel: 314-731-2400 TWX: 910-762-0645

## NEW JERSEY

**HAMILTON/AVNET ELECTRONICS**  
113 Gaither Drive  
East Gate Industrial Park  
Mt. Laurel, N.J. 08057  
Tel: 609-234-2133 TWX: 710-897-1405



## FAIRCHILD FRANCHISED U.S. DISTRIBUTORS (cont.)

### NEW JERSEY (Cont.)

**HAMILTON/AVNET ELECTRONICS**  
218 Little Falls Road  
Cedar Grove, New Jersey 07009  
Tel: 201-239-0800 TWX: 710-994-5787

**KIERULFF ELECTRONICS**  
#5 Industrial Drive  
Rutherford, New Jersey 07070  
Tel: 201-935-2120 TWX: 710-989-0225

**STERLING ELECTRONICS**  
774 Pfeiffer Blvd.  
Perth Amboy, N.J. 08861  
Tel: 201-442-8000 Telex: 138-679

**SCHWEBER ELECTRONICS**  
43 Belmont Drive  
Somerset, N.J. 08873  
Tel: 201-469-6008 TWX: 710-480-4733

**NEW MEXICO**  
**CENTURY ELECTRONICS**  
121 Elizabeth, N.E.  
Albuquerque, New Mexico 87123  
Tel: 505-292-2700 TWX: 910-989-0625

**HAMILTON/AVNET ELECTRONICS**  
2450 Baylor Dr. S.E.  
Albuquerque, New Mexico 87119  
Tel: 505-765-1500  
TWX: None — use 910-379-6486  
(Regional Hq. in Mt. View, Ca.)

**NEW YORK**  
**HAMILTON/AVNET ELECTRONICS**  
167 Clay Road  
Rochester, New York 14623  
Tel: 716-442-7820  
TWX: None — use 710-332-1201  
(Regional Hq. in Burlington, Mass.)

**HAMILTON/AVNET ELECTRONICS**  
6500 Joy Road  
E. Syracuse, New York 13057  
Tel: 315-437-2642 TWX: 710-541-0959

**HAMILTON/AVNET ELECTRONICS**  
70 State Street  
Westbury, L.I., New York 11590  
Tel: 516-333-5800 TWX: 510-222-8237

**SCHWEBER ELECTRONICS**  
Jericho Turnpike  
Westbury, L.I., New York 11590  
Tel: 516-334-7474 TWX: 510-222-3660

**SCHWEBER ELECTRONICS, INC.**  
2 Town Line Circle  
Rochester, New York 14623  
Tel: 716-461-4000

**SEMICONDUCTOR CONCEPTS**  
195 Engineers Rd.  
Hauppauge, New York 11787  
Tel: 516-273-1234 TWX: 510-227-6232

**SUMMIT DISTRIBUTORS, INC.**  
916 Main Street  
Buffalo, New York 14202  
Tel: 716-884-3450 TWX: 710-522-1692

**NORTH CAROLINA**  
**HALLMARK ELECTRONICS**  
3000 Industrial Drive  
Raleigh, North Carolina 27609  
Tel: 919-832-4465 TWX: 510-928-1831

**PIONEER/CAROLINA ELECTRONICS**  
2906 Baltic Avenue  
Greensboro, North Carolina 27406  
Tel: 919-273-4441

**OHIO**  
**ARROW ELECTRONICS, INC.**  
3100 Plainfield Road  
Kettering, Ohio 45429  
Tel: 513-253-9176 TWX: 810-459-1611

**HAMILTON/AVNET ELECTRONICS**  
761 Beta Drive, Suite "E"  
Cleveland, Ohio 44143  
Tel: 216-461-1400  
TWX: None — use 910-227-0060  
(Regional Hq. in Chicago, Ill.)

**HAMILTON/AVNET ELECTRONICS**  
118 Westpark Road  
Dayton, Ohio 45459  
Tel: 513-433-0610 TWX: 810-450-2531

**PIONEER/CLEVELAND**  
4800 East 131st Street  
Cleveland, Ohio 44105  
Tel: 216-587-3600

**SCHWEBER ELECTRONICS**  
23880 Commerce Park Road  
Beachwood, Ohio 44122  
Tel: 216-464-2970 TWX: 810-427-9441

**SHERIDAN SALES COMPANY**  
23224 Commerce Park Road  
Beachwood Ohio 44122  
Tel: 216-831-0130 TWX: 810-427-2957

**SHERIDAN SALES CO.**  
(mailing address)  
P.O. Box 37826  
Cincinnati, Ohio 45222

(shipping address)  
10 Knollcrest Drive  
Reading, Ohio 45237  
Tel: 513-761-5432 TWX: 810-461-2670

**OKLAHOMA**  
**HALLMARK ELECTRONICS**  
4846 South 83rd East Avenue  
Tulsa, Oklahoma 74145  
Tel: 918-835-8458 TWX: 910-845-2290

**PENNSYLVANIA**  
**HALLMARK ELECTRONICS, INC.**  
458 Pike Road  
Huntingdon Valley, Pennsylvania 19006  
Tel: 215-355-7300 TWX: 510-667-1727

**PIONEER/DELAWARE VALLEY, INC.**  
203 Witmer Rd.  
Horsham, Pennsylvania 19044  
Tel: 215-674-5710 (from Pennsylvania phones)  
Tel: 609-541-1120 (from New Jersey phones)

**SHERIDAN SALES COMPANY**  
1717 Penn Ave.  
Suite 5009  
Pittsburgh, Pennsylvania 15221  
Tel: 412-244-1640

**TEXAS**  
**HAMILTON/AVNET ELECTRONICS**  
4445 Sigma Road  
Dallas, Texas 75240  
Tel: 214-661-8661  
Telex: HAMAVLECB DAL 73-0511

**HAMILTON/AVNET ELECTRONICS**  
1216 West Clay  
Houston, Texas 77019  
Tel: 713-526-4661  
Telex: HAMAVLECB HOU 76-2589

**NORVELL ELECTRONICS, INC.**  
10210 Monroe Drive  
(P.O. Box 20279)  
Dallas, Texas 75220  
Tel: 214-350-6771 TWX: 910-861-4512

**NORVELL ELECTRONICS, INC.**  
6440 Hillcroft Avenue  
Houston, Texas 77036  
Tel: 713-774-2568 TWX: 910-881-2560

**SCHWEBER ELECTRONICS, INC.**  
2628 Longhorn Blvd.  
Austin, Texas 78758  
Tel: 512-837-2890 TWX: 910-874-1359

**SCHWEBER ELECTRONICS, INC.**  
14177 Proton Road  
Dallas, Texas 75240  
Tel: 214-661-5010 TWX: 910-860-5493

**SCHWEBER ELECTRONICS, INC.**  
7420 Harwin Drive  
Houston, Texas 77036  
Tel: 713-784-3600 TWX: 910-881-1109

**STERLING ELECTRONICS**  
4201 Southwest Freeway  
Houston, Texas 77021  
Tel: 713-627-9800 TWX: 910-881-5042  
Telex: STELECO HOUA 77-5299

**UTAH**  
**HAMILTON/AVNET ELECTRONICS**  
647 W. Billinis Rd.  
Salt Lake City, Utah 84119  
Tel: 801-262-8451  
TWX: None — use 910-379-6486  
(Regional Hq. in Mt. View, Ca.)

**WASHINGTON**  
**HAMILTON/AVNET ELECTRONICS**  
13407 Northrup Way  
Bellevue, Washington 98005  
Tel: 206-746-8750 TWX: 910-443-2449

**LIBERTY ELECTRONICS**  
5305 2nd Ave. South  
Seattle, Washington 98108  
Tel: 206-763-8200 TWX: 910-444-1379

**WISCONSIN**  
**HAMILTON/AVNET ELECTRONICS**  
6055 N. Santa Monica Blvd.  
Whitefish Bay, Wisconsin 53717  
Tel: 414-964-3482

**MARSH ELECTRONICS, INC.**  
6047 Beloit Road  
Milwaukee, Wisconsin 53219  
Tel: 414-645-6500 TWX: 910-262-3321

**SEMICONDUCTOR SPECIALISTS, INC.**  
10855 W. Potter Road  
Wauwatosa, Wisconsin 53226  
Tel: 414-257-1330 TWX: 910-262-3022

**CANADA**  
**CAM GARD SUPPLY LTD.**  
640 42nd Avenue S.E.  
Calgary, Alberta, T2G 1Y6, Canada  
Tel: 403-287-0520 Telex: 03-822811

**CAM GARD SUPPLY LTD.**  
10505 111th Street  
Edmonton, Alberta, T5H 3E8, Canada  
Tel: 403-426-1805 Telex: 03-72960

**CAM GARD SUPPLY LTD.**  
4910 52nd Street  
Red Deer, Alberta, T4N 2C8, Canada  
Tel: 403-346-2088

**CAM GARD SUPPLY LTD.**  
825 Notre Dame Drive  
Kamloops, British Columbia, V2C 5N8, Canada  
Tel: 604-372-3338

**CAM GARD SUPPLY LTD.**  
1777 Ellice Avenue  
Winnipeg, Manitoba, R3H 0W5, Canada  
Tel: 204-786-8401 Telex: 07-57622

**CAM GARD SUPPLY LTD.**  
Rookwood Avenue  
Fredericton, New Brunswick, E3B 4Y9, Canada  
Tel: 506-455-8891

**CAM GARD SUPPLY LTD.**  
15 Mount Royal Blvd.  
Moncton, New Brunswick, E1C 8N6, Canada  
Tel: 506-855-2200

**CAM GARD SUPPLY LTD.**  
Courtenay Center  
Saint John, New Brunswick, E2L 2X6, Canada  
Tel: 506-657-4666 Telex: 01-447489

**CAM GARD SUPPLY LTD.**  
3065 Robie Street  
Halifax, Nova Scotia, B3K 4P6, Canada  
Tel: 902-454-8581 Telex: 01-921528

**CAM GARD SUPPLY LTD.**  
1303 Scarth Street  
Regina, Saskatchewan, S4R 27, Canada  
Tel: 306-525-1317 Telex: 07-12667

**CAM GARD SUPPLY LTD.**  
1501 Ontario Avenue  
Saskatoon, Saskatchewan, S7K 17, Canada  
Tel: 306-652-6424 Telex: 07-42825

**ELECTRO SONIC INDUSTRIAL SALES (TORONTO) LTD.**  
1100 Gordon Baker Rd.  
Willowdale, Ontario, M2H 3B3, Canada  
Tel: 416-494-1666  
Telex: ESSCO TOR 06-22030

**HAMILTON/AVNET INTERNATIONAL (CANADA) LTD.**  
6291 Dorman Rd., Unit #16  
Mississauga, Ontario, L4V 1H2, Canada  
Tel: 416-677-7432 TWX: 610-492-8867

**HAMILTON/AVNET INTERNATIONAL (CANADA) LTD.**  
1735 Courtwood Crescent  
Ottawa, Ontario, K1Z, 5L9, Canada  
Tel: 613-226-1700

**HAMILTON/AVNET INTERNATIONAL (CANADA) LTD.**  
2670 Paulus Street  
St. Laurent, Quebec, H4S 1G2, Canada  
Tel: 514-331-6443 TWX: 610-421-3731

**R.A.E. INDUSTRIAL ELECTRONICS, LTD.**  
1629 Main Street  
Vancouver, British Columbia, V6A 2W5, Canada  
Tel: 604-687-2621 TWX: 610-929-3065  
Telex: RAE-VCR 04-54550

**SCHWEBER ELECTRONICS**  
2724 Rena Road  
Mississauga, Ontario, L4T 3J9, Canada  
Tel: 416-678-9050

# FAIRCHILD U.S. SALES REPRESENTATIVES

## ALABAMA

CARTWRIGHT & BEAN, INC.  
901 Magnolia Drive, N.W.  
Huntsville, Alabama 35805  
Tel: 205-533-3509

## CALIFORNIA

CELTEC COMPANY  
7380 Clairmont Mesa Blvd., Suite 109  
San Diego, California 92111  
Tel: 714-279-7961 TWX: 910-335-1512

CELTEC COMPANY  
2041 Business Center Drive, Suite 211  
Irvine, California 92664  
Tel: 714-752-6111 TWX: 910-595-2512

CELTEC COMPANY  
6767 Forest Lawn Drive  
Los Angeles, California 90068  
Tel: 213-874-6002

MAGNA SALES, INC.  
3080 Olcott Street, Suite 210A  
Santa Clara, California 95050  
Tel: 408-985-1750 TWX: 910-338-0241

## COLORADO

SIMPSON ASSOCIATES, INC.  
2552 Ridge Road  
Littleton, Colorado 80120  
Tel: 303-794-8381 TWX: 910-935-0719

## CONNECTICUT

LORAC SALES, INC.  
2777 Summer Street  
Stamford, Connecticut 06905  
Tel: 203-348-7701 TWX: 710-474-1763

## FLORIDA

WMM ASSOCIATES, INC.  
101 Wymore Road, Suite 300  
Altamonte Springs, Florida 32701  
Tel: 305-862-4700

WMM ASSOCIATES, INC.  
1822 Drew Street  
Clearwater, Florida 33519  
Tel: 813-447-2533 TWX: 810-866-4108

WMM ASSOCIATES, INC.  
1628 E. Atlantic Blvd.  
Pompano Beach, Florida 33060  
Tel: 305-943-3091 TWX: 510-956-9891

## GEORGIA

CARTWRIGHT & BEAN, INC.  
P.O. Box 52846  
90 W. Wieuca Square, Suite 155  
Atlanta, Georgia 30342  
Tel: 404-255-5262

## INDIANA

LESLIE M. DEVOE COMPANY  
7172 North Keystone Ave., Suite C  
Indianapolis, Indiana 46240  
Tel: 317-257-1227 TWX: 810-341-3284

## KANSAS

B.C. ELECTRONIC SALES, INC.  
1015 West Santa Fe  
Olathe, Kansas 66061  
Tel: 913-782-6696 TWX: 910-749-6414

B.C. ELECTRONIC SALES, INC.  
1229 South Paige  
Wichita, Kansas 67207  
Tel: 316-686-3394

## MARYLAND

L.D. LOWERY  
5801 Annapolis Road, Suite 500  
Bladensburg, Maryland 20710  
Tel: 301-779-0954 TWX: 710-826-9654

## MASSACHUSETTS

SPECTRUM ASSOCIATES, INC.  
888 Worcester Street  
Wellesley, Massachusetts 02181  
Tel: 617-237-2796 TWX: 710-348-0424

## MICHIGAN

RATHSBURG ASSOCIATES  
16621 E. Warren Ave.  
Detroit, Michigan 48224  
Tel: 313-882-1717 Telex: 23-5229

## MINNESOTA

PSI COMPANY  
7710 Computer Avenue  
Minneapolis, Minnesota 55435  
Tel: 612-835-1777 TWX: 910-576-2740

## MISSISSIPPI

CARTWRIGHT & BEAN, INC.  
P.O. Box 3730  
5250 Galaxy Drive, Suite J  
Jackson, Mississippi 39207  
Tel: 601-981-1368

## MISSOURI

B.C. ELECTRONIC SALES, INC.  
320 Brookes Drive, Suite 204  
Hazelwood, Missouri 63042  
Tel: 314-731-1255 TWX: 910-762-0651

## NEW JERSEY

LORAC SALES, INC.  
580 Valley Road  
Wayne, New Jersey 07470  
Tel: 201-696-7070 TWX: 710-988-5846

## NEW YORK

LORAC SALES, INC.  
275 Broadhollow Road  
Melville, L.I., New York 11746  
Tel: 516-293-2970 TWX: 510-224-6480

## SPECTRUM SALES, INC.

65 Circuit Avenue  
Tuckahoe, New York 10707  
Tel: 914-793-1660  
*(Microwave Product Only)*

## NORTH CAROLINA

CARTWRIGHT & BEAN, INC.  
625 Harwyn Drive  
Charlotte, North Carolina 28215  
Tel: 704-333-6457

CARTWRIGHT & BEAN, INC.  
P.O. Box 11209  
2415-G Crabtree Blvd.  
Raleigh, North Carolina 27604  
Tel: 919-832-7128

## OHIO

COMPONENTS, INC.  
7461 N. Linden Lane  
Cleveland, Ohio  
Tel: 216-842-2737

COMPONENTS, INC.  
5835 Oakridge Drive  
Hamilton, Ohio 45011  
Tel: 513-721-2997

## PENNSYLVANIA

BGR ASSOCIATES  
500 Office Center  
Fort Washington Industrial Park  
Fort Washington, Pennsylvania 19034  
Tel: 215-886-6623

## L.D. LOWERY

2801 West Chester Pike  
Broomall, Pennsylvania 19008  
Tel: 215-356-5300 or 215-528-5170

## TENNESSEE

CARTWRIGHT & BEAN, INC.  
P.O. Box 4760  
560 S. Cooper Street  
Memphis, Tennessee 38104  
Tel: 901-276-4442

CARTWRIGHT & BEAN, INC.  
8501 Kingston Pike  
Knoxville, Tennessee 37919  
Tel: 615-693-7450

## TEXAS

TECHNICAL MARKETING  
4445 Alpha Road  
Dallas, Texas 75240  
Tel: 214-387-3601 TWX: 910-860-5158

## TECHNICAL MARKETING

6430 Hillcroft, Suite 102  
Houston, Texas 77036  
Tel: 713-771-8466

## UTAH

SIMPSON ASSOCIATES, INC.  
2480 So. Main Street, Suite 105  
Salt Lake City, Utah 84115  
Tel: 801-486-3731 TWX: 910-925-5253

## WASHINGTON

QUADRA CORPORATION  
1621 - 114th Avenue S.E.  
Suite 212  
Bellevue, Washington 98004  
Tel: 206-454-4946 TWX: 910-443-2318

## CANADA

AVOTRONICS LIMITED  
200 Consumers Road, Suite 200  
Willowdale, Ontario, M2J 1P8, Canada  
Tel: 416-493-9711

AVOTRONICS LIMITED  
6600 Trans Canada Highway, Suite 750  
Pointe Claire, Quebec, H9R 4S2, Canada  
Tel: 514-697-2135 TWX: 610-422-3908  
Telex: 05-821-762



